



Lefthand Grip Unit Instruction Manual

Ver1.0

KONDO KAGAKU CO., LTD.

www.kopropro.co.jp

- Parts List :** Lefthand Grip Unit -----x1
Stand Extension -----x1

Introduction

K.I.Y. CONCEPT

KO PROPO introduces Kustomize It Yourself (K.I.Y.) an interchangeable transmitter. The concept of the new K.I.Y. brings simplicity to customizing and upgrading within a modular system. The new transmitter is composed of 3 modular units: Steering, Throttle and Master units.

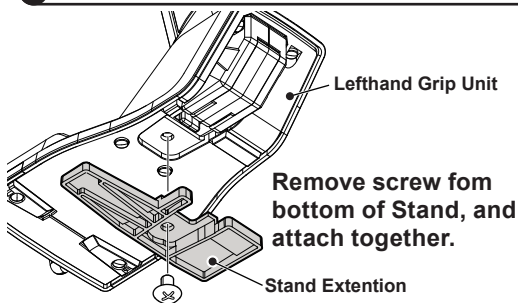


About this manual

Please read the manual carefully before using this product. If you have any questions, please check the EX-1 manual from the CD-ROM or our website.

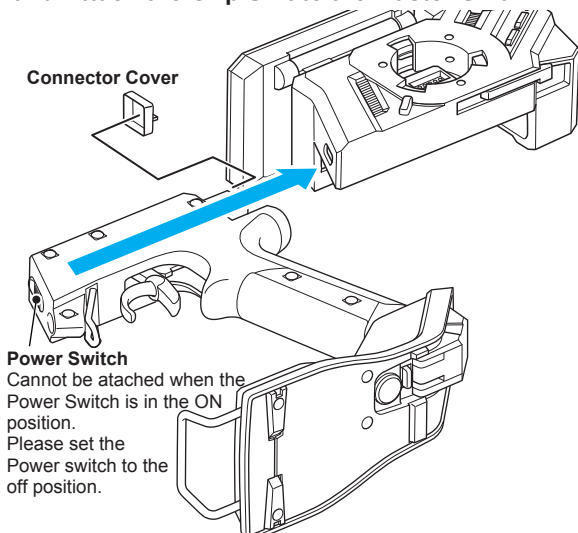
Installation *Example with EX-1

Attach to the Stand Extension



Attach to the Master unit

Remove Connector Cover, and Attach the Grip Unit to the Master Unit

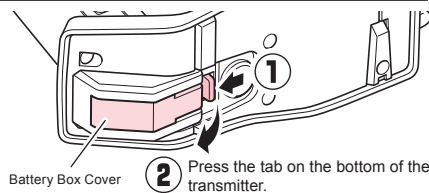


! Turn on the transmitter and perform the Adjust TH function. Please do not forget to perform this function or the throttle may not operate correctly.

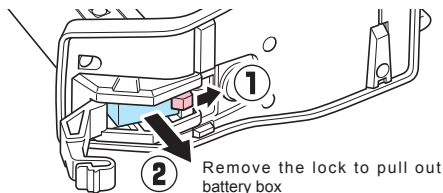
MAIN MENU→SYSTEM→AdjustTH in the LCD menu.
Please refer to the EX-1 Instruction manual.

Battery Installation

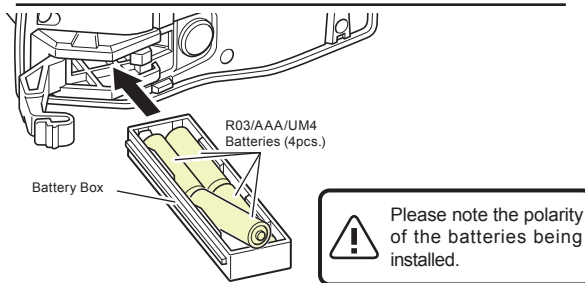
1. Open battery box cover.



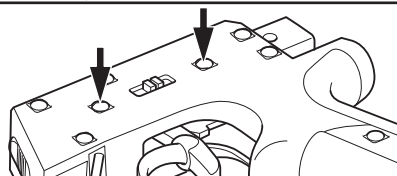
2. Pull out battery box.



3. Install four R03/AAA/UM4 alkaline batteries while noting their polarity and then insert the battery box.



Adjustment Triger Position



Remove from Master Unit and Loosen two screws in the Grip Unit.

Note: Be careful so as not to loosen a screw too much.

Contact information for repairing goods

Please write the following items in as much detail as possible and send it with the repair goods.

1. Situation of the trouble.
2. Equipment used.
(type of transmitter, receiver, servo, and esc)
3. Vehicle name and installing situation when being installed.
4. The type and the number of items that have been sent.
5. Return address, name, and telephone number

KONDO KAGAKU CO.,LTD Service department

ADDRESS : 4-17-7 Higashi-Nippori, Arakawa-ku Tokyo
Japan 116-0014 Japan

TEL : 03-3807-7648 (service)
9:00-12:00 & 13:00-17:00 M- F except
national holidays Saturday and Sunday closed

Latest information can be accessed here.

>> <http://www.kopropro.co.jp>