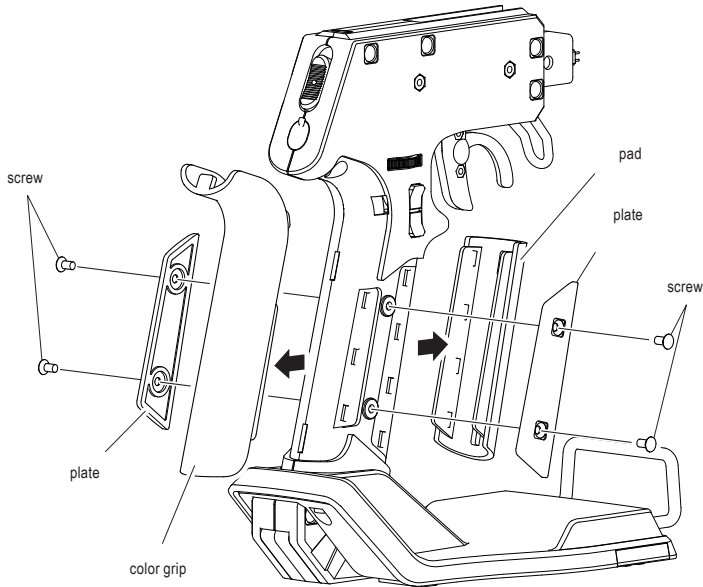


1 Removal of Color Grip



The screws that are removed from the original grip are a different size from the screws for the large grip. Please keep the screws for re-attachment of the original grip.

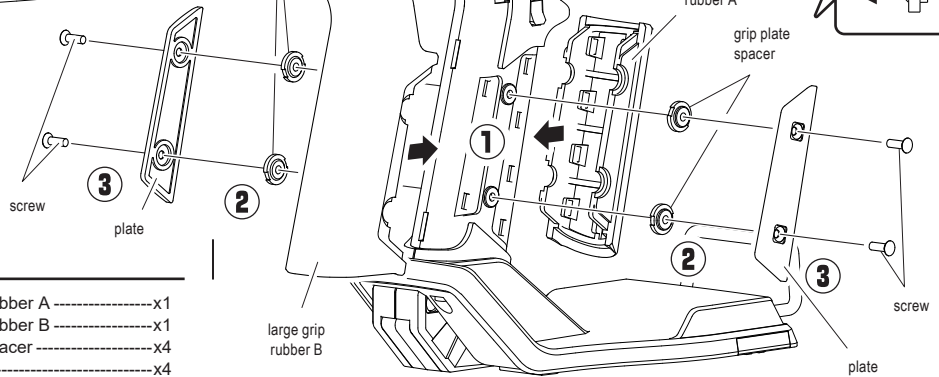
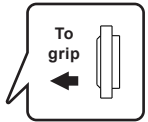
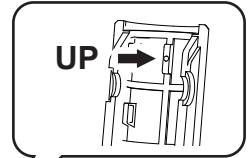
2 Installation of Large Grip



- * Please remove the battery box before installation.
- * Please confirm the correct screws are being used. The use of incorrect screws will damage the products.



grip plate spacer



KO PROPO.
Large Grip

Parts List:

Large grip rubber A	-----x1
Large grip rubber B	-----x1
Grip plate spacer	-----x4
Screw	-----x4